



DP 02A gas leak detector



Use:

Detector DP 02A, further referred to as detector, is designed for continuous monitoring of the concentration of combustible gases (natural gas, coal gas, acetylene, thinners, alcohols). It is intended for gas fired boiler houses, household, recreation objects, production areas, and halls without explosion hazard.

This detector can be used as a constant indicator of gas leak in gas fired boiler houses where a gas leak alarm is required as permanent equipment.

Description and function:

When the detector is connected to the rated supply voltage, the green LED which indicates operation will light. The function of the detector is blocked during the first minute after connecting to the power supply to allow the sensor to stabilize. After this, the detector is ready for permanent operation.

If the gas concentration in the area exceeds the first adjusted limit, the red LED (1st limit) will light, an acoustic alarm will start and the R3 relay will switch. If the second adjusted limit is exceeded, the additional red LED (2nd limit) will light and the R2 relay will switch. If the concentration sinks below the adjusted limits, the signalling and the relays will return to their release position; there is no connected signalling it must be realized in a tie-in system if required. These relays can regulate a fan, a gas inlet electric valve, a signal horn...

The signalling stops when the gas concentration sinks below the adjusted limits.

If the green LED does not light, the device is not working.

Perform regular calibration to avoid errors and ensure longer operating life of the device.

Installation:

The detector can be mounted on a fixed fireproof pad in any position; it is recommended to mount it on the wall with the longer edge horizontally, the sensor being on the top and the supply from below. When installing the device, specific properties of the supposed gases, places of possible leakage, the size of the room, and the air circulation must be considered.

For gases lighter than air (natural gas, coal gas...) the detector must be mounted as high as possible, preferably below the ceiling.

For gases heavier than air (propane-butane) it must be mounted as near to the floor as possible; however, it must not be in the way of the personnel.

There must be free space of at least 50mm around the detector and the surrounding objects must not block or reduce air circulation around the device.

The spacing of the fixing screws is 127 mm. For fixing, use screws or wood screws of 3-4 mm with flat or round heads.

Open the detector cover and unscrew the two screws on the sides of the cover. Remove the cover and pull the supply cables through. Then screw the brown lower part of the detector on the place of destination. Connect the supply lead and the relay conductors.

Replace the detector cover and screw it together. The installation is completed.

The holes for screws can be used for plumbing; it is necessary to use material which cannot damage the cover of the device.

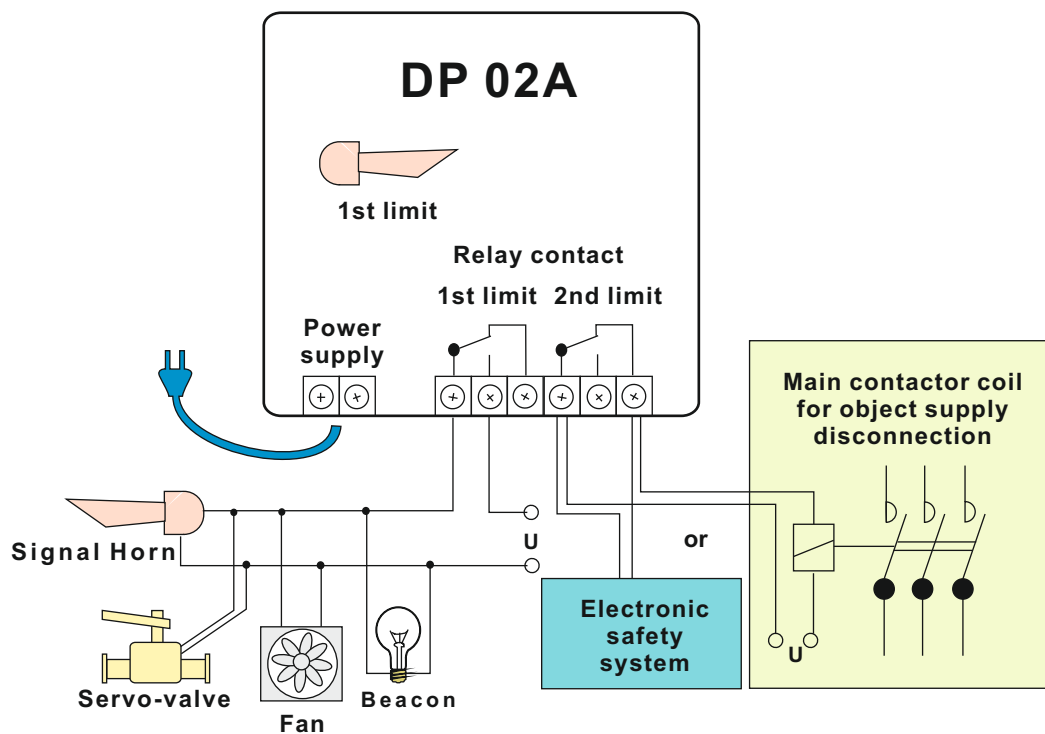
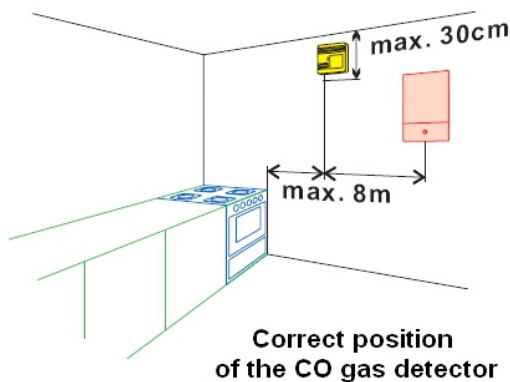
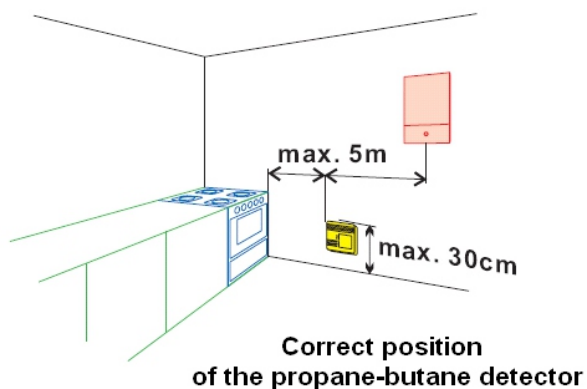
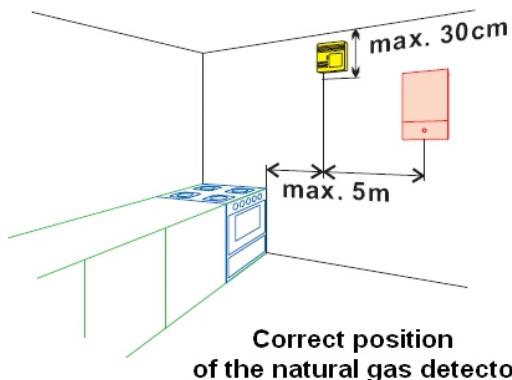
Technical parameters:

Power supply as ordered	230V/AC 50Hz
	F T5x20/50mA protection
	24V/AC/DC/50Hz
Input power	F T5x20/250mA protection
	3VA
Temperature range	12V/AC/DC/50Hz
Pressure	F T5x20/250mA protection
Humidity	80 - 120 kPa
Relay loading	30% - 90%
Acoustic signalling	without condensation
Operation	230V/AC/DC/1A
Environment	siren 95dB/0.3m
Dimensions	continuous
Weight	normal
Operating position	150 x 80 x 56[mm]
Readiness after switch-on	400 g
Stability of settings	any, horizontal recommended
Recommended standard gases	in 10 minutes
Recommended calibration gases	1 year
Protection	0.5%vol. and 1%vol.CH4
	0.45%vol. and 0.9%vol.CH4
	IP 30

The catalogue has only those selected important parameters for your final decision. For project designs always ask for the user's guide for this product and any engineering consultation about possible uses.



DP 02A gas leak detector



The catalogue has only those selected important parameters for your final decision. For project designs always ask for the user's guide for this product and any engineering consultation about possible uses.